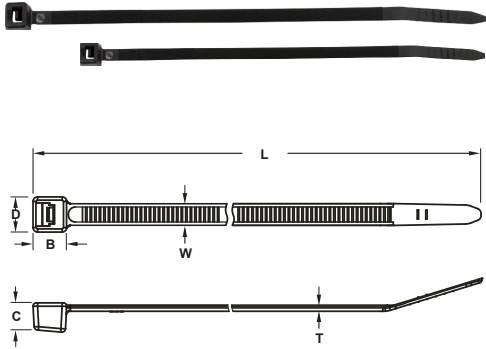




1.1.2 Weather Resistant UV Type

Material: PA66 (Ultraviolet)
Flammability rating: UL94V-2
Color: Black



ITEM NO.	Dimension (mm)						Bundle Dia (mm)		Min Tensile Strength (lbs)	PACKING BAG
	L	W	B	C	D	T	Min	Max		
K-80MU	80	2.5	4.5	3.8	4.5	1	1.6	15	18	100 PCS
K-90MU	96	2.5	4.5	3.8	4.5	1	1.6	21	18	100 PCS
K-100MU	100	2.5	4.5	3.8	4.5	1	1.6	22	18	100 PCS
K-120MU	120	2.5	4.5	3.8	4.5	1.1	1.6	28	18	100 PCS
K-140MU	142	2.5	4.5	3.8	4.5	1.1	1.6	35	18	100 PCS
K-165MU	165	2.5	4.5	3.8	4.5	1.1	1.6	43	18	100 PCS
K-200MU	203	2.5	4.5	3.8	4.5	1.2	1.6	53	18	100 PCS
K-140IU	142	3.6	6.7	5.4	6.8	1.25	2.5	33	40	100 PCS
K-150IU	150	3.6	6.7	5.4	6.8	1.25	2.5	35	40	100 PCS
K-180IU	180	3.6	6.7	5.4	6.8	1.3	2.5	44	40	100 PCS
K-200IU	203	3.6	6.7	5.4	6.8	1.3	2.5	52	40	100 PCS
K-250IU	250	3.6	6.7	5.4	6.8	1.3	2.5	65	40	100 PCS
K-300IU	300	3.6	6.7	5.4	6.8	1.35	2.5	76	40	100 PCS
K-370IU	368	3.6	6.7	5.4	6.8	1.3	2.5	102	40	100 PCS
K-120SU	120	4.6	7.0	6.0	7.7	1.3	3.0	22	50	100 PCS
K-160SU	160	4.6	7.0	6.0	7.7	1.3	3.0	38	50	100 PCS
K-190SU	190	4.6	7.0	6.0	7.7	1.3	3.0	46	50	100 PCS
K-200SU	203	4.6	7.0	6.0	7.7	1.3	3.0	50	50	100 PCS
K-250SU	250	4.6	7.0	6.0	7.7	1.35	3.0	65	50	100 PCS
K-280SU	280	4.6	7.0	6.0	7.7	1.35	3.0	75	50	100 PCS
K-300SU	300	4.6	7.4	6.0	8.3	1.4	3.0	80	50	100 PCS
K-370SU	368	4.6	7.4	6.0	8.3	1.4	3.0	102	50	100 PCS
K-385SU	385	4.6	7.4	6.0	8.3	1.4	3.0	105	50	100 PCS
K-430SU	432	4.6	7.4	6.0	8.3	1.45	3.0	120	50	100 PCS
K-160SDU	160	4.8	7.0	6.0	7.7	1.3	3.0	42	50	100 PCS
K-190SDU	190	4.8	7.0	6.0	7.7	1.3	3.0	52	50	100 PCS
K-200SDU	203	4.8	7.0	6.0	7.7	1.3	3.0	55	50	100 PCS
K-250SDU	250	4.8	7.0	6.0	7.7	1.35	3.0	74	50	100 PCS
K-300SDU	300	4.8	7.4	6.0	8.3	1.4	3.0	80	50	100 PCS
K-370SDU	368	4.8	7.4	6.0	8.3	1.4	3.0	102	50	100 PCS
K-430SDU	432	4.8	8.1	6.0	8.2	1.45	3.0	125	50	100 PCS
K-530SDU	530	4.8	8.1	6.0	8.2	1.45	3.0	150	50	100 PCS
K-150HU	150	7.6	11.0	6.8	12.4	1.6	4.8	33	120	100 PCS
K-200HU	203	7.6	11.0	6.8	12.4	1.6	4.8	50	120	100 PCS
K-250HU	250	7.6	11.0	6.8	12.4	1.6	4.8	63	120	100 PCS
K-280HU	280	7.6	11.0	6.8	12.4	1.6	4.8	74	120	100 PCS
K-300HU	300	7.6	11.0	6.8	12.4	1.6	4.8	80	120	100 PCS
K-340HU	340	7.6	11.0	6.8	12.4	1.6	4.8	92	120	100 PCS
K-370HU	370	7.6	11.0	6.8	12.4	1.6	4.8	102	120	100 PCS
K-380HU	380	7.6	11.0	6.8	12.4	1.6	4.8	105	120	100 PCS
450	7.6	11.0	6.8	12.4	1.6	4.8	128	120	100 PCS	
K-450HU	450	7.6	11.0	6.8	12.4	1.6	4.8	143	120	100 PCS
K-550HU	550	7.6	11.0	6.8	12.4	1.6	4.8	160	120	100 PCS
K-750HU	750	7.6	11.0	6.8	12.4	1.76	4.8	223	120	100 PCS
K-430LU	430	9.0	13.2	9.8	14.3	1.8	8.0	116	175	100 PCS
K-450LU	450	9.0	13.2	9.8	14.3	1.8	8.0	124	175	100 PCS
K-550LU	550	9.0	13.2	9.8	14.3	1.8	8.0	155	175	100 PCS
K-610LU	610	9.0	13.2	9.8	14.3	1.8	8.0	175	175	100 PCS
K-710LU	710	9.0	13.2	9.8	14.3	1.8	8.0	207	175	100 PCS
K-780LU	776	9.0	13.2	9.8	14.3	1.8	8.0	228	175	100 PCS
K-810LU	812	9.0	13.2	9.8	14.3	1.8	8.0	239	175	100 PCS
K-920LU	920	9.0	13.2	9.8	14.3	1.8	8.0	274	175	100 PCS
K-1020LU	1020	9.0	13.2	9.8	14.3	1.8	8.0	306	175	100 PCS
K-1220LU	1220	9.0	13.2	9.8	14.3	1.8	8.0	367	175	100 PCS

Nylon Cable Tie

Fastener

Marker, Pipe

Wire Duct

PVC Tubes

Cable Clamp & Clip

Stainless Steel Cable Tie