

Single Module
51.2V 100Ah 5.12kWh



EVE GRADE A BATTERY CELL



More energy available

90% discharge
Optimising energy at module level



Flexible investment

Modular design
Up to 33pcs in parallel



Safe & Secure

Lithium Iron Phosphate battery(LFP)
Low voltage safety connection



Easy installation

Simple and easy operation



WiFi+APP

Power generation data
monitoring platform and APP



Perfectly applicable

Applicable to single-phase and
three-phase residential inverters

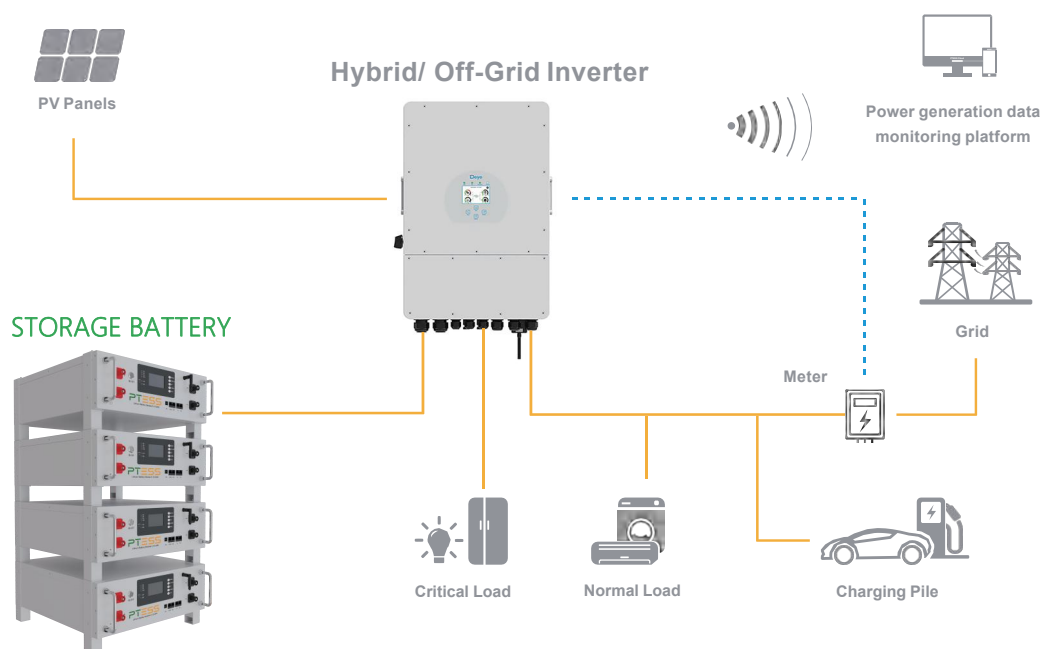
Compatible inverter brands:

-DEYE/Luxpower/Growatt/Megarevo/Goodwe/MUST/SRNE/EPEVER/Afore

-SMA/Studer/ Solax/Solis/Sofar/Schneider/Sorotec/SMK/Victron/Voltronic/INHENERGY

PT-ESS-R5120	
BATTERY MODULE SPECIFICATION	
Battery/Cell Type	LFP
Nominal Voltage (Vdc)	51.2V
Nominal Capacity (Ah)	100Ah
Total Energy (Wh)	5120
Max. Charge and Discharge Current (A)	100
Recommend Charge and Discharge Current (A)	50
Recommend DOD	90%
Operating Voltage Range (Vdc)	43.2-57.6
Discharge Cut-off Voltage (V)	40
Parallel	Up to 33 connected in parallel
Calendar Life	20 years @25°C, 15 years @35°C, 10 years @45°C
Cycle Life	≥6000 cycles at 90% DOD
Warranty	5 years (designed lifetime 15 years)
COMMUNICATION	
Display	LCD Screen
Communication	CAN(IN&OUT) between modules in Parallel, CAN bus/RS485 to inverter,USB to PC Monitoring
WIFI Function	Wifi for APP and Platform Monitoring
STANDARD COMPLIANCE	
Safety (Cell level)	IEC62619 / IEC62619 / CE / ROHS / MSDS /UN38.3
Safety (Module level)	IEC61000 / CE / ROHS / MSDS /UN38.3
MECHANICAL SPECIFICATIONS	
Dimensions (W x H x D) (mm)	440*440*145
Weight (kgs)	48
Mounting	Wall mounted/Stackable
Operating Temperature ⁽⁴⁾ Charge/Discharge (°C)	-20 to +55
Storage Temperature (6 months between recharge) (°C)	-20 to +35
Cooling Method	Natural convection
Noise (at 1m distance) (dBA)	<25

Hybrid Solar System



Model	Accessories Parts Description	Remark
QBCable200	Battery Parallel Cable (Included)	Battery power and communication parallel connection cable
QPCable1500	Hybrid Inverter Cable (Optional-Excluded)	Battery power cable connect with hybrid inverter
Comm-Cable1500	Hybrid Inverter Cable (Included)	Battery communication cable connect with hybrid inverter
LR-Bracket	Battery Rack Fixed Ear (Optional-Excluded)	Used for battery fixing with or cabinet
S-Bracket	Battery Stackable Brackets (Included)	Simple stacking bracket, 1 unit including 4 pcs brackets, Max. stacking 6 floors
W-Bracket	Battery Wall-Mounted Brackets and screws (Optional-Excluded)	Simple wall hanging support.



Model: QBCable200

Details: Pair of 6AWG Battery power cable (both ends have waterproof terminals) and one RJ45 communication cable for battery parallel. The default length is 200mm.



Model: QPCable1500

Details: Pair of 6AWG DC power cable (one end has a waterproof terminal, the other end is M10 copper terminal)



Model: Comm-Cable1500

Details: One RJ45 communication cable connect with hybrid inverter. The default length is 1500mm.



Model: LR-Bracket

Details: Pair of rack fixed ears used for battery fixing with rack shelf or cabinet.



Model: S-Bracket

Details: Simple stacking bracket, height 199mm, 1 set including 4 pcs brackets, Max. stacking 6 floors.



Model: W-Bracket

Details: Pair of simple wall hanging support, included 4 sets of M6 expansion screws.