



Nylon Cable Tie

Fastener

Marker, Pipe

Wire Duct

PVC Tubes

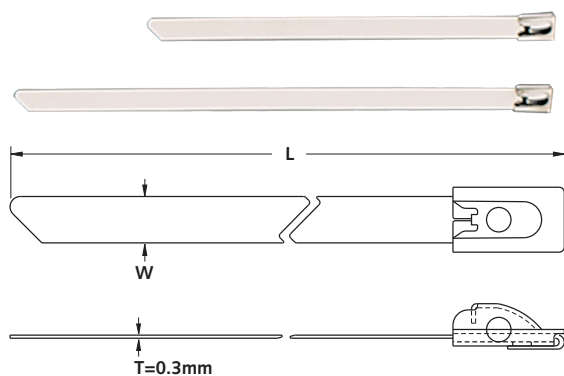
Cable Clamp & Clip

Stainless Steel Cable Tie

7.1 Ball Lock

7.1.1 Standard |

Temperature resistance: -80°C to 538°C
Resistance against chemicals: ACID and ALKALI resistant
Material: 316 stainless steel



ITEM NO.	Max Bundle Dia (mm)	"L" Length Approx. (mm)	"W" Width Approx. (mm)	Min Loop Tensile (Kg)	PACKING BAG
STB-125S	20	125	4.5	45.4	100 PCS
STB-152S	25	152	4.5	45.4	100 PCS
STB-200S	50	200	4.5	45.4	100 PCS
STB-250S	60	250	4.5	45.4	100 PCS
STB-300S	75	300	4.5	45.4	100 PCS
STB-360S	102	360	4.5	45.4	100 PCS
STB-400S	108	400	4.5	45.4	100 PCS
STB-500S	140	500	4.5	45.4	100 PCS
STB-520S	152	520	4.5	45.4	100 PCS
STB-680S	203	680	4.5	45.4	100 PCS
STB-840S	254	840	4.5	45.4	100 PCS
STB-1050S	318	1050	4.5	45.4	25 PCS
STB-152M	25	152	8.0	113.4	50 PCS
STB-200M	50	200	8.0	113.4	50 PCS
STB-250M	60	250	8.0	113.4	50 PCS
STB-300M	75	300	8.0	113.4	50 PCS
STB-360M	102	360	8.0	113.4	50 PCS
STB-520M	152	520	8.0	113.4	50 PCS
STB-680M	203	680	8.0	113.4	50 PCS
STB-840M	254	840	8.0	113.4	50 PCS
STB-1050M	318	1050	8.0	113.4	25 PCS
STB-290L	80	290	12.0	270.0	25 PCS
STB-360L	102	360	12.0	270.0	25 PCS
STB-430L	121	430	12.0	270.0	25 PCS
STB-520L	152	520	12.0	270.0	25 PCS
STB-600L	175	600	12.0	270.0	25 PCS
STB-680L	203	680	12.0	270.0	25 PCS
STB-750L	230	750	12.0	270.0	25 PCS
STB-840L	254	840	12.0	270.0	25 PCS
STB-910L	273	910	12.0	270.0	25 PCS
STB-1000L	302	1000	12.0	270.0	10 PCS
STB-1070L	325	1070	12.0	270.0	10 PCS
STB-1200L	351	1200	12.0	270.0	10 PCS